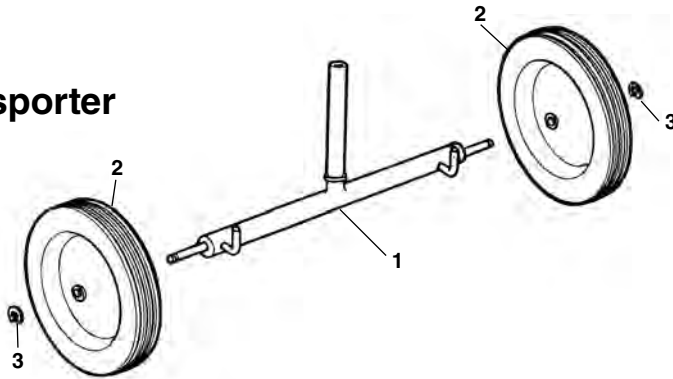


32  
1452  
1206

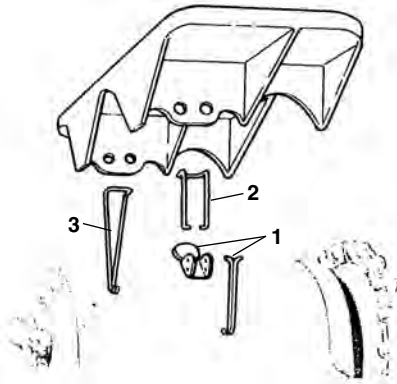
No. 32 Transporter



NOTE: Order parts by Catalog Number only.  
DO NOT order by Reference Number.

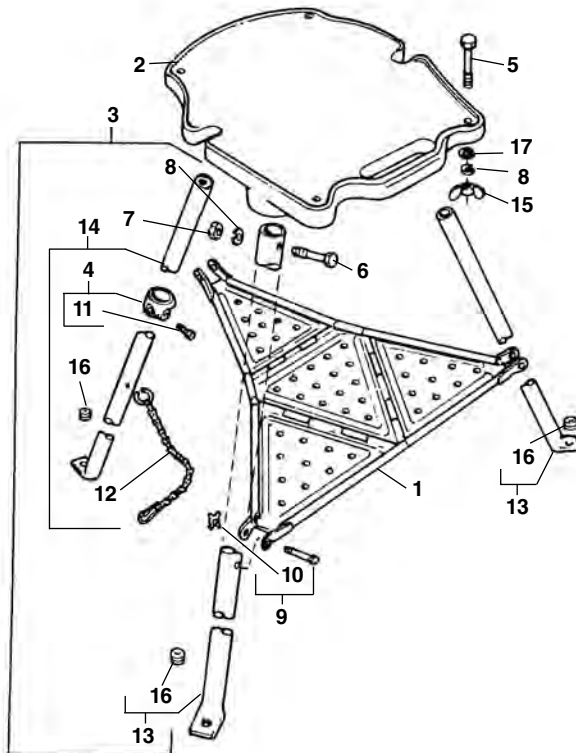
| Ref. No. | Catalog No. | Description                  |
|----------|-------------|------------------------------|
| —        | 42575       | No. 32 Transporter           |
| 1        | 42590       | Axle & Support Tube Assembly |
| 2        | 42585       | Wheel (2)                    |
| 3        | 42580       | Retaining Ring (2)           |

No. 1452 Clip-On Tool Tray



| Ref. No. | Catalog No. | Description               |
|----------|-------------|---------------------------|
| —        | 22638       | No. 1452 Tool Tray        |
| 1        | 45535       | Hook & Lever Assembly     |
| 2        | 45540       | Top Hook                  |
| 3        | 45545       | Side Hook                 |
| 4        | 78367       | Warning Decal (Not Shown) |

No. 1206 Stand



| Ref. No. | Catalog No. | Description                          |
|----------|-------------|--------------------------------------|
| —        | 42360       | 1206 Stand Complete                  |
| —        | 83540       | 1206 Stand Export                    |
| 1        | 43475       | B-547 Tool Tray                      |
| 2        | 42870       | B-1058 Base                          |
| 3        | 42990       | B-1983-X Tray & Leg Assembly         |
| 4        | 41235       | D-488-X Tray Support                 |
| 5        | 46670       | E-867 Bolt 3/8" - 16 x 2" (4)        |
| 6        | 46675       | E-868 Bolt 3/8" - 16 x 2 3/4" (3)    |
| 7        | 44225       | E-1094 Nut 3/8" - 16 (3)             |
| 8        | 40930       | E-1095 Lock Washer 3/8" (7)          |
| 9        | 41265       | E-1375-X Pin w/Washer (1 7/8" Long)  |
| 9        | 89720       | E-10396-X Pin w/Washer (1 5/8" Long) |
| 10       | 41270       | E-1377 X-Washer (6)                  |
| 11       | 41245       | E-1380 Set Screw 3/8" - 16 x 1"      |
| 12       | 40945       | E-1444-X Chain Assembly              |
| 13       | 45325       | E-1336-X Front Leg (2)               |
| 14       | 45330       | E-3237-X Rear Leg                    |
| 15       | 45385       | E-3328 Wing Nut 3/8" - 16 (4)        |
| 16       | 40940       | F-532 Grommet (3)                    |
| 17       | 44230       | E-1096 Washer 3/8" (4)               |